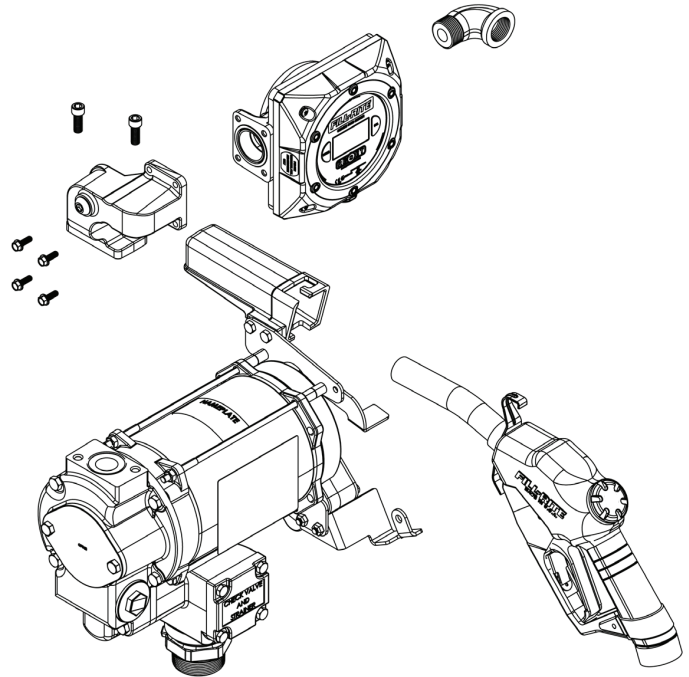
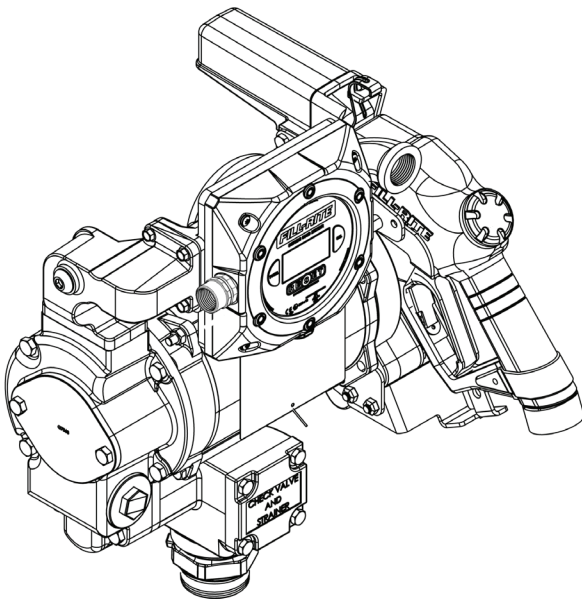


# FILL-RITE®

A GORMAN-RUPP COMPANY

## FR319VBP SERIES TECHNICAL SPECIFICATIONS



### Pump

Type - rotary, diaphragm, gear, vane	Vane
GPM in supplied configuration	26.6
GPM open flow - no hose or nozzle	33.4
By-pass pressure rating (psi) - Max	26 psi
Dry vac (in Hg)	14
Head- Max	60'
Anti-siphon valve	Optional
Inlet - Size / Thread	1.25" NPT
Outlet - Size / Thread	1" NPT
Mount	Bung
Materials of construction - pump housing	Cast Iron
Materials of construction - wetted material	Fluorocarbon / Buna
Rotor materials of construction	Powdered Iron
Rotor vane material of construction	Carbon
Compatible fluids	Diesel, Gasoline, Bio-Diesel up to B20, E15, Kerosene
Max Viscosity of Fluids to Pump	22cSt
Strainer Mesh Size	40 x 40
Warranty	2 Years

### Motor

Power - AC 115, 230, 115/230 VAC	115/230
HZ 50, 60, 50/60	60/50
Power - DC 12, 24, 12/24	N/A
HP (horsepower) rating	¾ HP
Power cord length	N/A
Power cord gauge	N/A
Power cord DC battery connectors	None
Amps (FLA)	9.8/4.9 11.4/5.7
RPM	1725/1425
Duty cycle	30 min.
Thermal protection switch	Yes
Circuit protection fuse	None
Certification	UL, cUL

# FILL-RITE®

A GORMAN-RUPP COMPANY

## Accessories

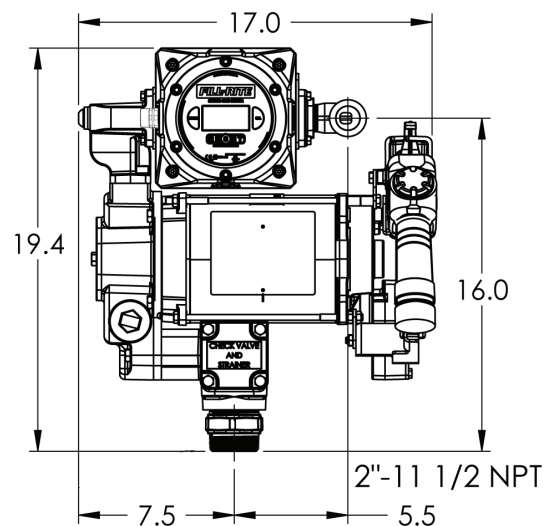
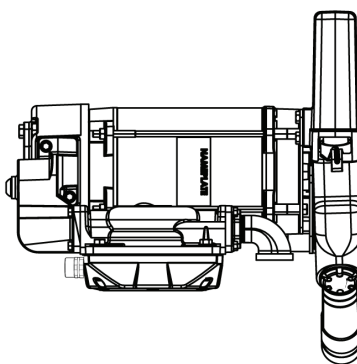
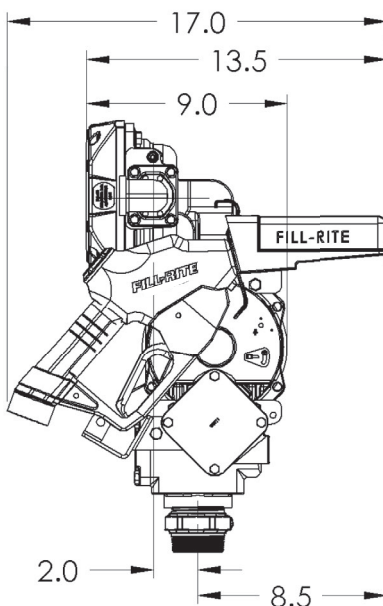
Suction pipe material	N/A
Suction pipe length	N/A
Nozzle size	1" Ultra High Flow
Nozzle - manual / automatic	Ultra High Flow
Hose diameter	1"
Hose length	18'
Hose material of construction	Black Nitrile Rubber
Hose static wire (Y/N)	Yes
Hose Liquid Materials Compatibility	Diesel Fuel, Kerosene Heptane, Hexane, Mineral Spirits
Certifications	UL, cUL

## Measurements

Height	19.4"
Width	17"
Depth	17"
Intake Center Line to Discharge Center Line	2"
Intake Center Line to Back of Nozzle Boot	8.5"
Shipping Weight	94 lbs
Qty per Pallet	8
Box Dimensions	Length - 21" Width - 20" Height - 17 3/4"

## SKU/Kit # Small Pump Kits Consists of:

<b>KIT300SW</b>	Switch Lever	Switch lever, attaching hardware
<b>KIT300JC</b>	Junction Cover	Junction box cover, O-ring seal, attaching hardware
<b>KIT300BV</b>	Bypass	Bypass cap, O-ring seals, bypass body and poppet, spring, attaching hardware
<b>KIT700SL</b>	O-Ring	O-ring seals, retaining ring, nickel plated seals, stainless steel seals and spring
<b>KIT300RG</b>	Rotor	Rotor, vanes, O-ring seals attaching hardware
<b>KIT700BG</b>	Inlet	Inlet adapter, AST 2 x 1 1/4"
<b>KIT300SG</b>	Pressure Relief	Pressure relief valve, O-ring seals, gasket, check valve body, stem, and insert
<b>KIT120NB</b>	Nozzle Boot	Nozzle boot, attaching hardware
<b>KIT300BD</b>	Gasket	Gaskets, O-ring seals, bypass cap, flange cover
<b>KIT300NR</b>	Nozzle Retainer	Nozzle retainer and attaching hardware
<b>KIT300OT</b>	Outlet Kit	Outlet flange, O-ring seal, attaching hardware
<b>KIT700AS</b>	Anti-Siphon	Anti-siphon valve, Teflon tape, elbow adapter, stainless steel braided hose, attaching hardware



## Electronics

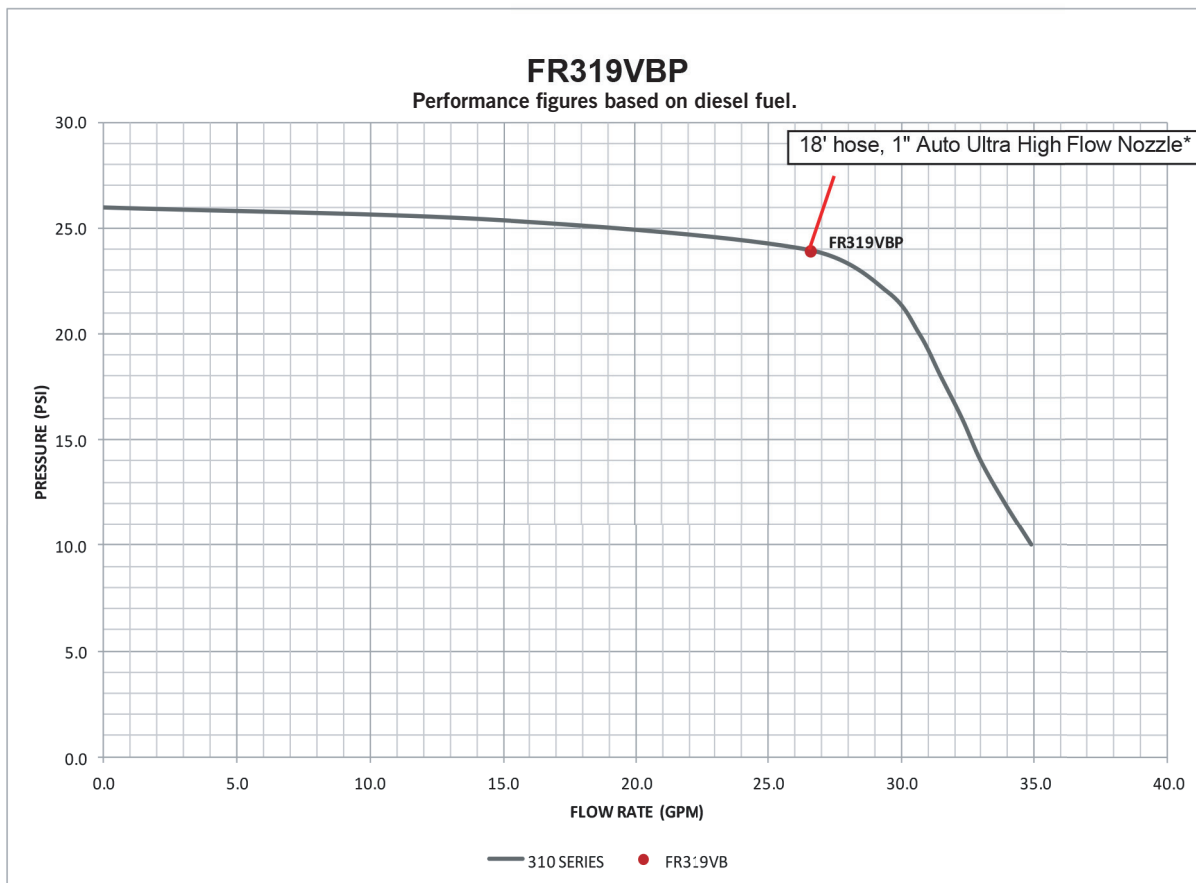
### Pulser

- Designed to be compatible with a variety of Fuel Management Systems, with up to a current sink max of 180mA load
- 10 pulses per unit: pulse output for gallons, liters, and quarts

### Intrinsically Safe Barrier

- AC or DC Power: Use either AC (90-240 VAC, 50-60 Hz) or DC (12-40 VDC, .2A) input voltage to provide external power for the meter. Incoming voltage is auto-sensing; no setting DIP switches
- Design allows for greater flexibility in installation
- Installs easily with three simple wiring connections: AC or DC input, Meter interface, and Fuel Management System interface

PSI	GPM	Amp
26.0	0.0	9.3
25.4	14.9	9.8
24.0	26.5	9.8
20.0	29.5	9.4
22.0	30.7	9.2
18.0	31.5	9.0
16.0	32.3	8.8
14.0	33.0	8.4
12.0	33.9	8.3
10.0	34.9	8.2



\*Changes in temperatures, fluid viscosity and system accessories may shift the performance curves.